

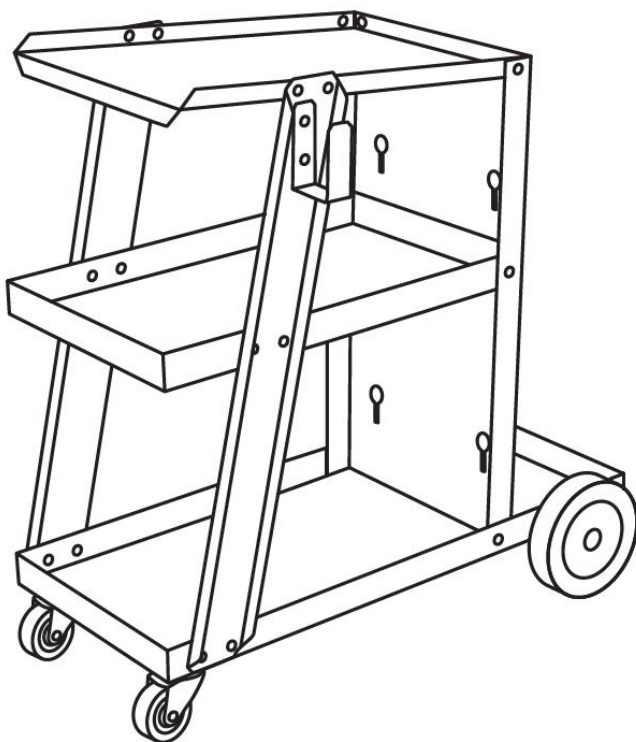
MICHIGAN

WELDING CO.

HEAVY DUTY WELDING TROLLEY

WITH 3 LEVELS

MODEL# CART11



OPERATING INSTRUCTIONS

TO PREVENT SERIOUS INJURY, READ & UNDERSTAND
ALL WARNING & INSTRUCTIONS BEFORE USE

-----KEEP THIS DOCUMENT-----

| Item Specification | |
|---------------------------|-------------------|
| Pack Dimension (LxWxH) | 720 x 325 x 120mm |
| Product Dimension (LxWxH) | 690 x 402 x 720mm |
| Load weight limit | 50kg |
| Pack weight | 13kg |

Description

The Heavy Duty Welding Trolley is designed to hold small welders, welding tools, accessories, consumables, gas tanks etc. Equipped with four rollers, it is very convenient to move. It is an ideal for use in the house, garden and garage.

Attention

Only use trolley on a hard, flat surface.

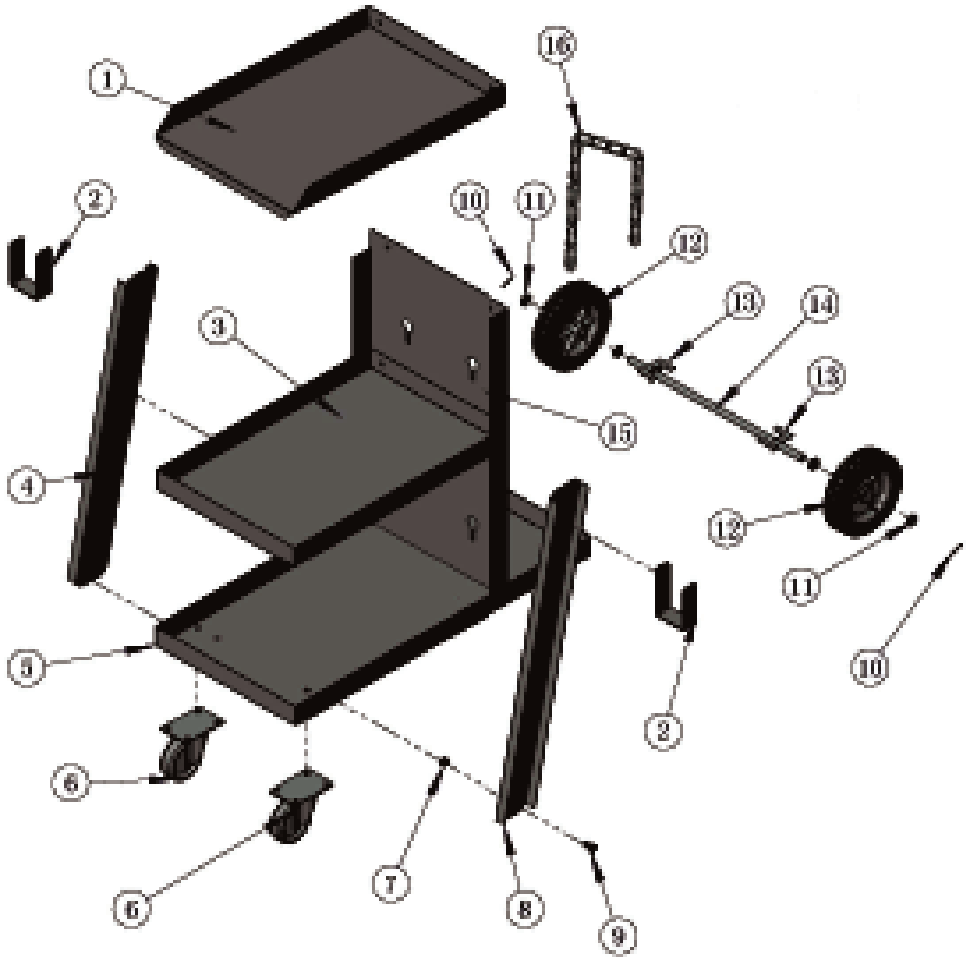
Assembly

Check all pieces are present on the parts list below and then assemble the cart according to the image on the next page.

Important: Do not tighten off all screws immediately. After all the screws are in position ensure the back panel is vertical with the bottom and that all components are lining up correctly. Then fully tighten all screws.

| Parts List | | | |
|------------|---------------|---------------|------|
| No. | Description | Specification | Qty. |
| 1 | First floor | CART-11.7 | 1 |
| 2 | Torch hook | 8HG.125.207 | 2 |
| 3 | Second floor | CART-11.4 | 1 |
| 4 | Left support | CART-11.5 | 1 |
| 5 | Bottom floor | CART-11.1 | 1 |
| 6 | Front castor | φ63 | 2 |
| 7 | Hex-nut | M6 | 34 |
| 8 | Right support | CART-11.6 | 1 |
| 9 | Hex-bolt | M6*12 | 34 |
| 10 | Cotter pin | 2.5*25 | 2 |
| 11 | Flat washer | φ12 | 4 |
| 12 | Rubber wheel | φ150 | 2 |
| 13 | Axle support | 8HG.271.008 | 2 |
| 14 | Axle | CART-11.2 | 1 |
| 15 | Back panel | CART-11.3 | 1 |
| 16 | Iron chain | 4mm*0.8m | 2 |

Parts Breakdown



WARRANTY INFORMATION

This warranty is provided by Total Tools (Importing) Pty Ltd 20 Thackray Road, Port Melbourne, VIC 3207 (we, us, our).

Express warranty

Subject to the exclusions set out below, we warrant that this product will be free from defects in materials or workmanship for a period of 12 months from the date of purchase.

The benefits conferred by this warranty are in addition to all rights and remedies which you may be entitled to under the Australian Consumer Law, and any other statutory rights you may have under other applicable laws. This warranty does not exclude, restrict or modify any such rights or remedies.

Warranty exclusions

This express warranty does not apply where a defect or other issue with the product is caused by normal wear and tear, misuse or abuse of the product.

Consumer guarantees

Our goods come with guarantees that cannot be excluded under the Australian Consumer Law. You are entitled to a replacement or refund for a major failure and for compensation for any other reasonably foreseeable loss or damage.

You are also entitled to have the goods repaired or replaced if the goods fail to be of acceptable quality and the failure does not amount to a major failure.

Warranty claims

To make a claim under this warranty, you must bring the product along with the proof of purchase and any other documentary evidence which you think is relevant to the Total Tools' place of purchase where the claim will be handled on our behalf. Any cost incurred by you in bringing the product to the place of purchase will be borne by you. To make a claim under this warranty, the product and proof of purchase must be returned to the Total Tools place of purchase during the warranty period specified above.

If your warranty claim is accepted, we (or the Total Tools store that handles the claim on our behalf) will, at our discretion, repair or replace the product, or refund money to you and take back the product.